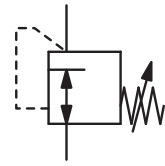


Description Highly sensitive diaphragm pressure regulator.
Media compressed air or non-corrosive gases
Supply pressure max. 20 bar depending on the accuracy range AR: the smaller P₁ the higher the accuracy, min. 1 bar
 max. 10 bar at pressure range < 120 mbar
Accuracy at maximum volume flow < e.g. 10% FS pressure deviation
Air consumption without constant bleed
Adjustment manual by turning the spindle under the cover of the spring cage
Relieving function non-relieving, optionally relieving
Relief capacity Can be adjusted independently of outlet pressure. On non-relieving designs: blocked exhaust valve.
Gauge port not available
Temperature range -20 °C to 60 °C / -4 °F to 140 °F
Material Body: SG cast iron GGG50, GGG40 at DN50 Elastomer: NBR/Buna-N, optionally FKM
 Spring cage: aluminium Inner valve: brass and stainless steel
Mounting position any



G1 up to flange DN50
15...20/4400 mbar

Dimensions			Accuracy	Nominal size	Flow rate	P ₁ max.	Connection thread	Pressure range	Order number
A	B	C	%	DN	l/min*1	bar*2	G	mbar	

Low press. regulator w. positioning spring P₁: max. 20 bar, non-relieving **RZ**

185	245	30	10	17	1800	10	G1	15 ... 20	RZ1-08A
								20 ... 30	RZ1-08B
								30 ... 40	RZ1-08C
								40 ... 70	RZ1-08D
								70 ... 110	RZ1-08E
								110 ... 180	RZ2-08F
								180 ... 300	RZ2-08G
								300 ... 700	RZ3-08H
185	245	30	10	17	2700	10	G1½*3	15 ... 20	RZ1-12A
								20 ... 30	RZ1-12B
								30 ... 40	RZ1-12C
								40 ... 70	RZ1-12D
								70 ... 110	RZ1-12E
								110 ... 180	RZ2-12F
								180 ... 300	RZ2-12G
								300 ... 700	RZ3-12H
254	460	80	5	22	15000	10	flange	10 ... 18	RZ1-16AF
								15 ... 30	RZ1-16BF
								25 ... 49	RZ1-16CF
								40 ... 75	RZ1-16DF
								62 ... 120	RZ1-16EF
								100 ... 170	RZ1-16FF
								145 ... 270	RZ1-16GF
								230 ... 350	RZ1-16HF
								280 ... 720	RZ2-16IF
								840 ... 1250	RZ2-16KF
			5	34	28000	20	DN50	280 ... 720	RZ2-16IF
								840 ... 1250	RZ2-16KF



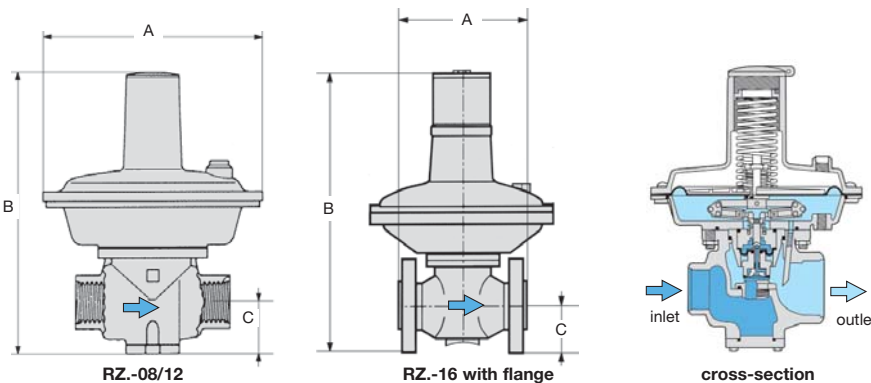
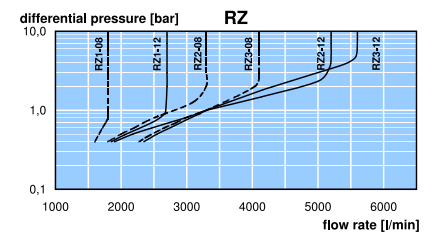
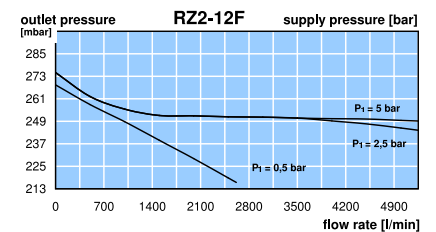
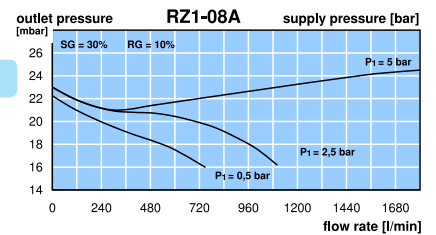
RZ2-08F



RZ1-16AF

Special options, add the appropriate letter

- further ranges** RZ3-08 / -12 700 ... 1100 I 1100 ... 2000 J 2000 ... 3000 RZ3-... K
- further ranges** RZ2-16 1050 ... 2300 L 2000 ... 4400 RZ3-16M
- relieving** with relieving function, adjustable RZ-... R
- FKM elastomer** RZ-... V
- flange connection** see chapter for stainless steel devices / flanges RZ-... F.
- nitrogen** N₂: 07 **carbon dioxide** CO₂: 03 **argon** Ar: RZ-... 05
- helium** He: 09 **hydrogen** H₂: 11 **methane** CH₄: RZ-... 13
- oxygen** O₂: 15 **propane** C₃H₈: 16 **nitrous oxide** N₂O: RZ-... 17



*1 at 4 bar supply pressure and max. outlet pressure *2 see description above *3 G1 thread at inlet

PDF CAD
 www.aircom.net

Order example:
 RZ1-08A